

FEATURES OF THE MULTI-FUNCTION KEYLESS ENTRY

This remote control can be used with any 53000SRT series garage door opener receiver.

Personalized Code: Up to 10,000 possible combinations. Code can easily be changed if desired.

Operation: Opener activates when 4-digit code and ENTER button are pressed.

If wrong numbers are accidentally pressed, correction can be made immediately. The ENTER key will transmit only the last four digits.

The keypad will blink for 15 seconds after the code is transmitted. During that time you can STOP or REVERSE door travel just by pressing the ENTER key.

The Multi-Function Keyless Entry can be used with any 'SMART' receiver. The keypad will illuminate for 5 seconds at the first push of ANY key.

All 53000SRT garage door opener receivers have a separate memory channel for the Multi-Function Keyless Entry to operate the opener.

Power Supply: 12 Volt battery.

To comply with FCC rules, adjustment or modification of receiver and/or transmitter is prohibited, except for changing the code setting and replacing the transmitter battery. THERE ARE NO OTHER USER SERVICEABLE PARTS.



WARNING

Children operating or playing with a garage door opener can injure themselves or others. The garage door could close and cause serious injury or death.

Install the door control (or any additional push buttons) out of the reach of children and away from all moving parts of the door and door hardware, but where the garage door is visible. Do not allow children to operate the push button(s) or the remote control(s).

A moving garage door could injure someone under it. Activate the opener only when the door is properly adjusted, you can see it clearly, and there are no obstructions to door travel.

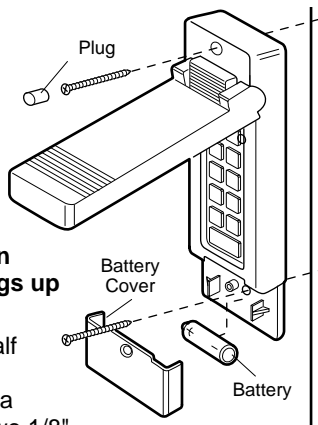
Open the keypad cover and remove the battery compartment screw. Set cover aside and remove battery. **NOTE BATTERY POLARITY AS MARKED ON COMPARTMENT.** Follow the installation instructions described below.

INSTALLATION

1. Center the keypad at eye level against the selected location on the garage exterior (as shown below).

NOTE: For a one-piece door on a brick, stone or aluminum sided garage, use the optional location shown in the illustration to avoid injury as the door swings up and out.

2. Hold keypad firmly with cover half open so both top and bottom mounting holes are visible. Use a punch to mark each hole. Drill two 1/8" pilot holes. Fasten securely with screws provided.
3. Insert the plug provided into top hole to cover the fastening screw. **Return the battery, being sure to observe polarity.** Refasten compartment cover.



SETTING THE CODE

You may want someone to help at this point.

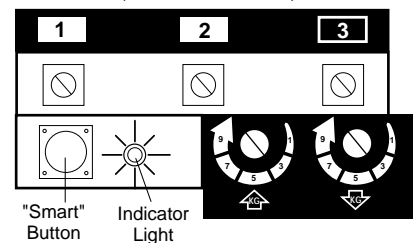
The following procedure prevents the opener from learning the code of another remote control that is transmitting.

1. Decide on a 4-digit code using numbers from 0 to 9. You can use a number more than once (for example, 4, 0, 4, 1).
2. Press the selected code digits on the keypad. **PRESS AND HOLD the ENTER button.** The keypad light will blink. Press the 'Smart' button on the opener end panel. The adjacent indicator light will flash and the door will begin to move. The receiver has now learned the selected keypad code.

After programming the keypad, test your portable remote control. If the pushbutton(s) no longer activates the door opener, reprogram the remote control.

To change your code at any time, repeat Steps 1 and 2.

GARAGE DOOR OPENER RECEIVER
(With "Smart" Button)



BATTERY: The 12 Volt battery should produce power for at least one year. As long as there is adequate power, the keypad will illuminate and receiver will operate when number and ENTER keys are pressed. Replace the battery when keypad illumination becomes dim.

